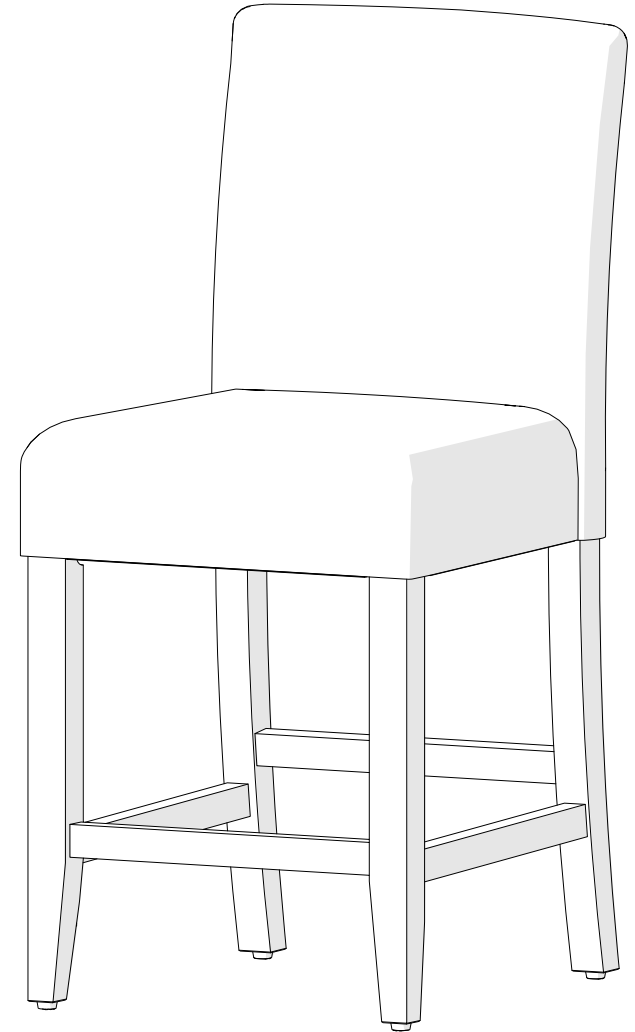


HOMEPop

a Kinfine brand

Open Back 24" Barstool

Style Number : K6858.24



>>assembly instructions

Congratulations on your latest HomePop purchase.

Now what? Don't start sweating over this box of parts. This will be easy. We did the hard work for you. All you need to do is follow our simple instructions and you'll be on your way to transforming your room in no time. Good luck --though we're confident you won't need it.

before you begin

1. Check for damaged or missing parts. Customers can email service@kinfine.com or call 1-888-626-0888 to order missing supplies.
2. Use the carton as a working surface to prevent product damage during assembly.
3. Gather all tools prior to assembly.

table of contents

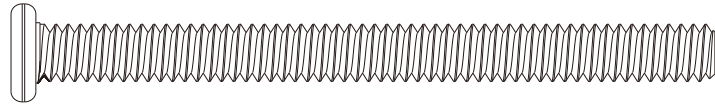
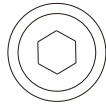


introduction	2
hardware	4
parts list	5
assembly	6 - 12

hardware

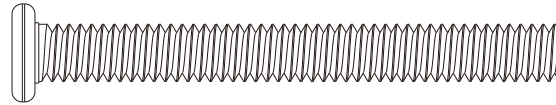
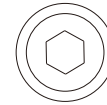
(A) x 4

5/16" x 90mm
round hex screw



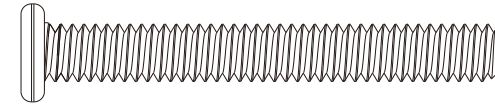
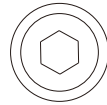
(B) x 2

5/16" x 70mm
round hex screw



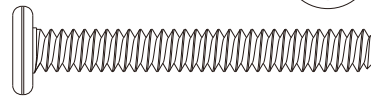
(C) x 4

5/16" x 60mm
round hex screw



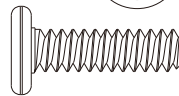
(D) x 2

1/4" x 45mm
round hex screw



(E) x 2

1/4" x 20mm
round hex screw



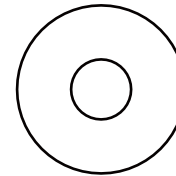
(F) x 10

Φ 8mm lock washer



(G) x 10

Φ 22mm flat washer



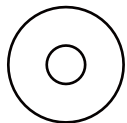
(H) x 4

Φ 6mm lock washer



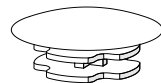
(I) x 4

Φ 15mm flat washer



(J) x 2

plug



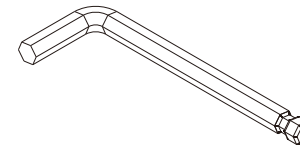
(K) x 1

dowel 10x40mm



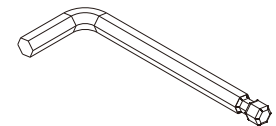
(L) x 1

5mm Ball end
Hex wrench



(M) x 1

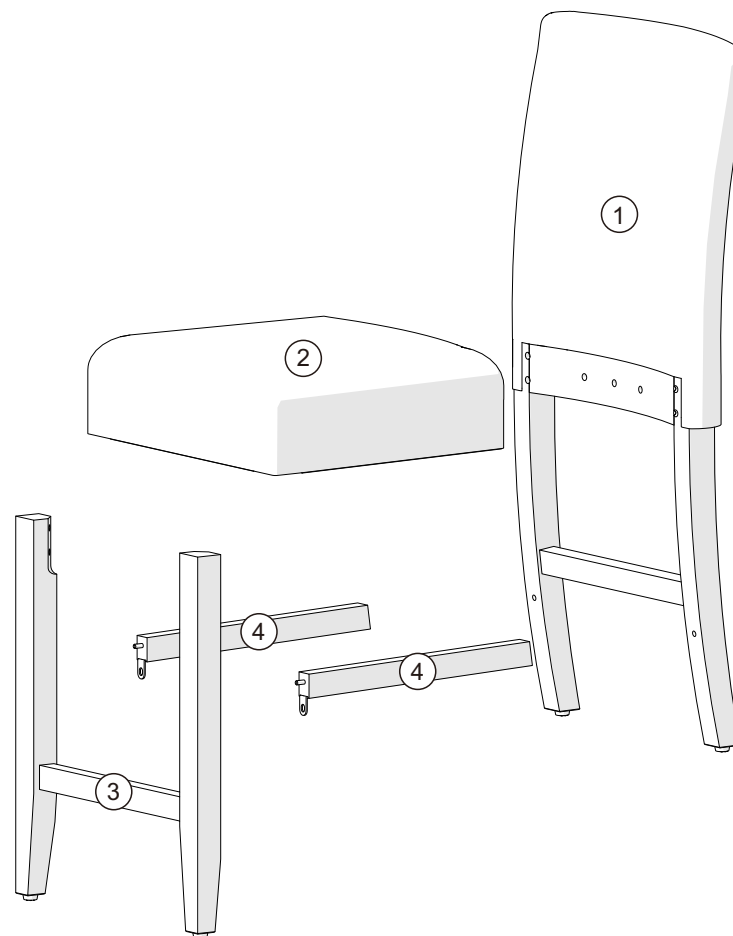
4mm Ball end
Hex wrench



ITEM DESCRIPTION QUANTITY

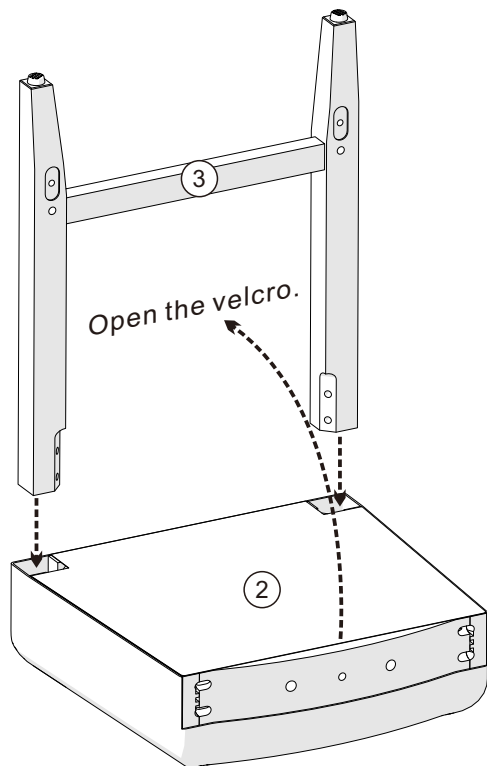
.....

①	chair back	1
②	seat cushion	1
③	front leg	1
④	bar	2

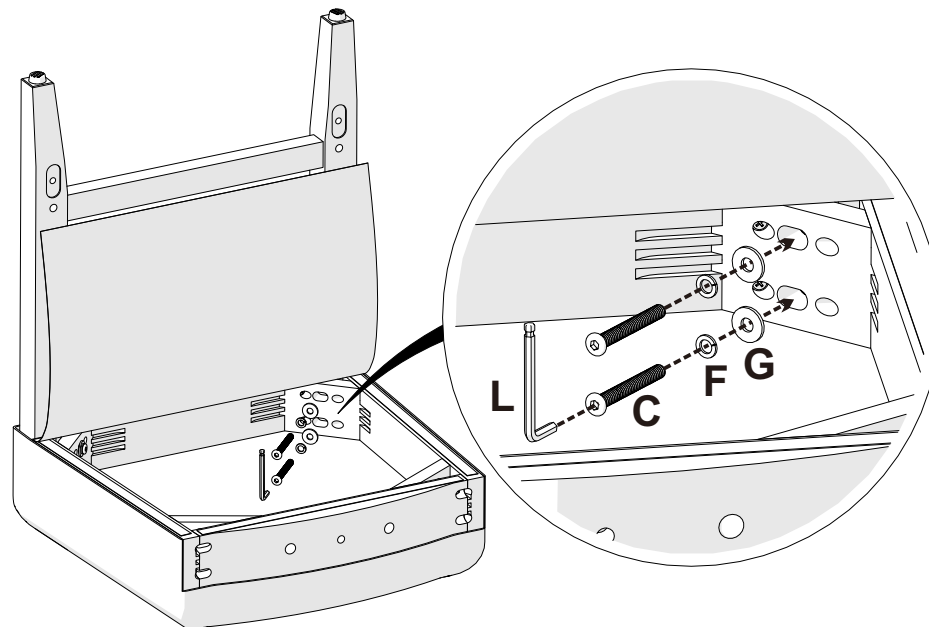


step 1.

1

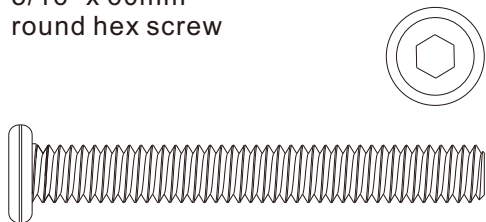


2



(C) x 4

5/16" x 60mm
round hex screw



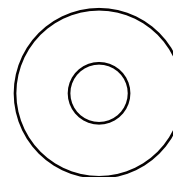
(F) x 4

Φ 8mm lock washer



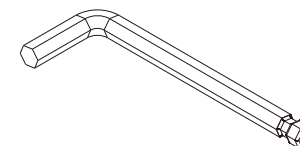
(G) x 4

Φ 22mm flat washer



(L) x 1

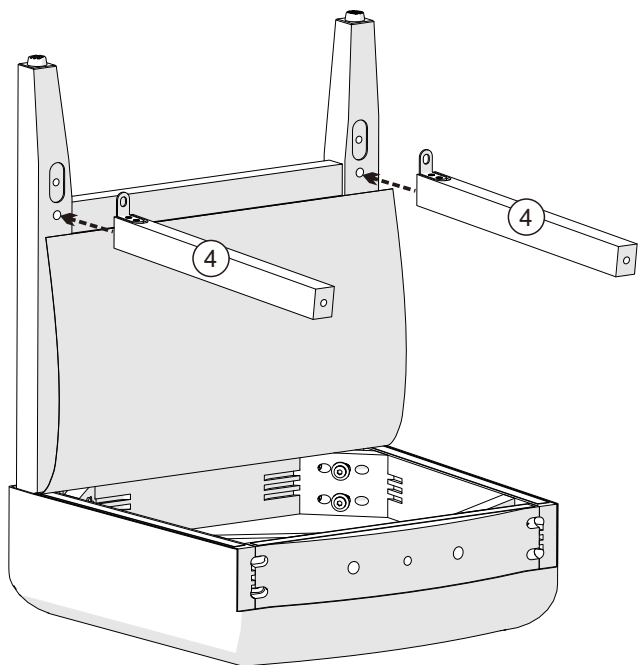
5mm Ball end
Hex wrench



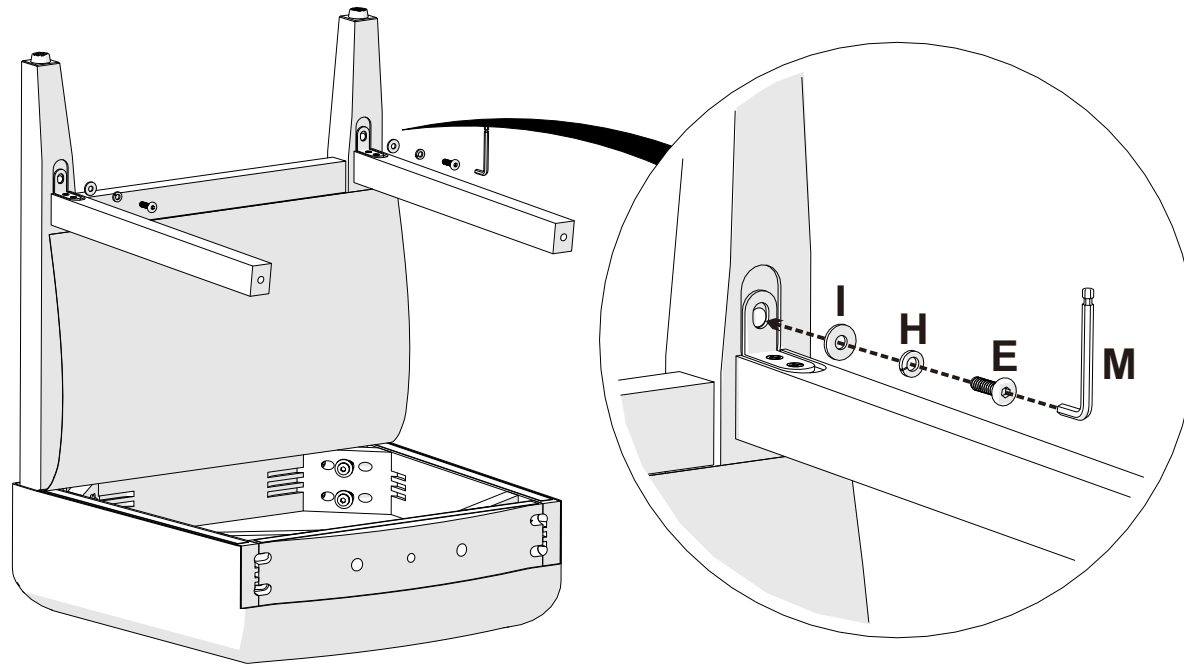
Please do not assemble with power tools.

step 2.

1

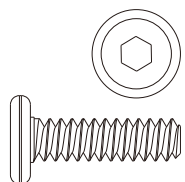


2



(E) x 2

1/4" x 20mm
round hex screw



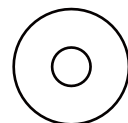
(H) x 2

Φ 6mm lock washer



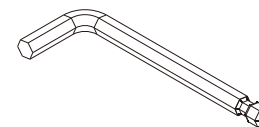
(I) x 2

Φ 15mm flat washer



(M) x 1

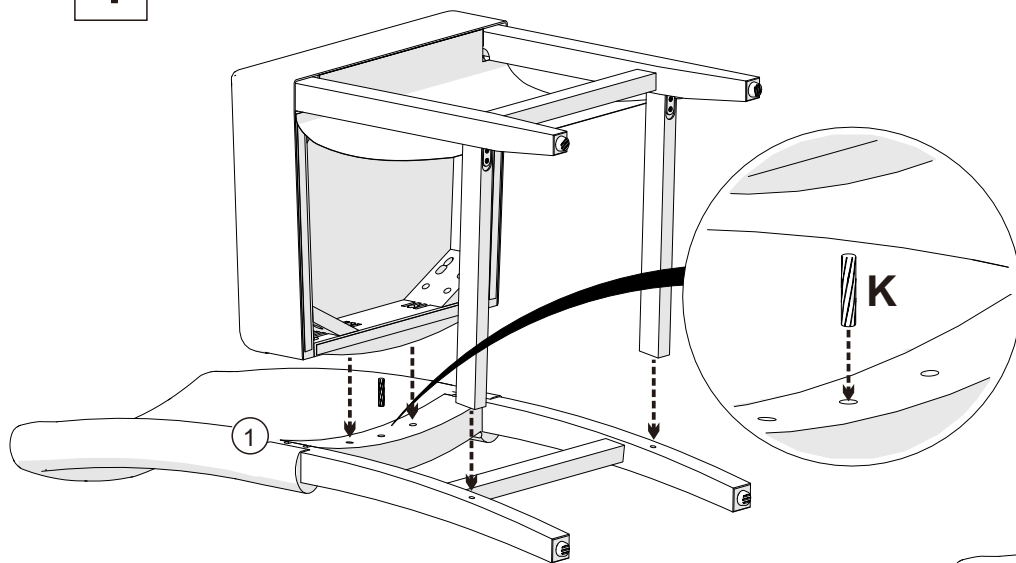
4mm Ball end
Hex wrench



Please do not assemble with power tools.

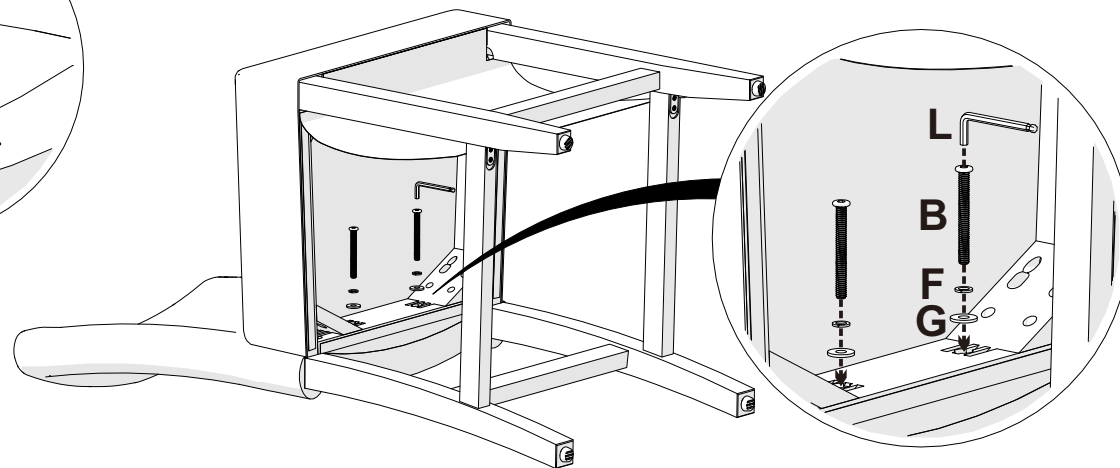
step 3.

1



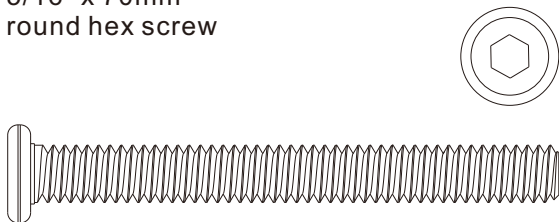
2

Do not tighten these two bolts until the next step.



(B) x 2

5/16" x 70mm
round hex screw



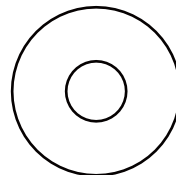
(F) x 2

Φ 8mm lock washer



(G) x 2

Φ 22mm flat washer



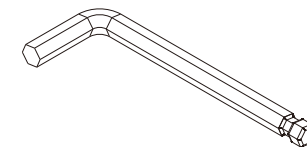
(K) x 1

dowel 10x40mm



(L) x 1

5mm Ball end
Hex wrench

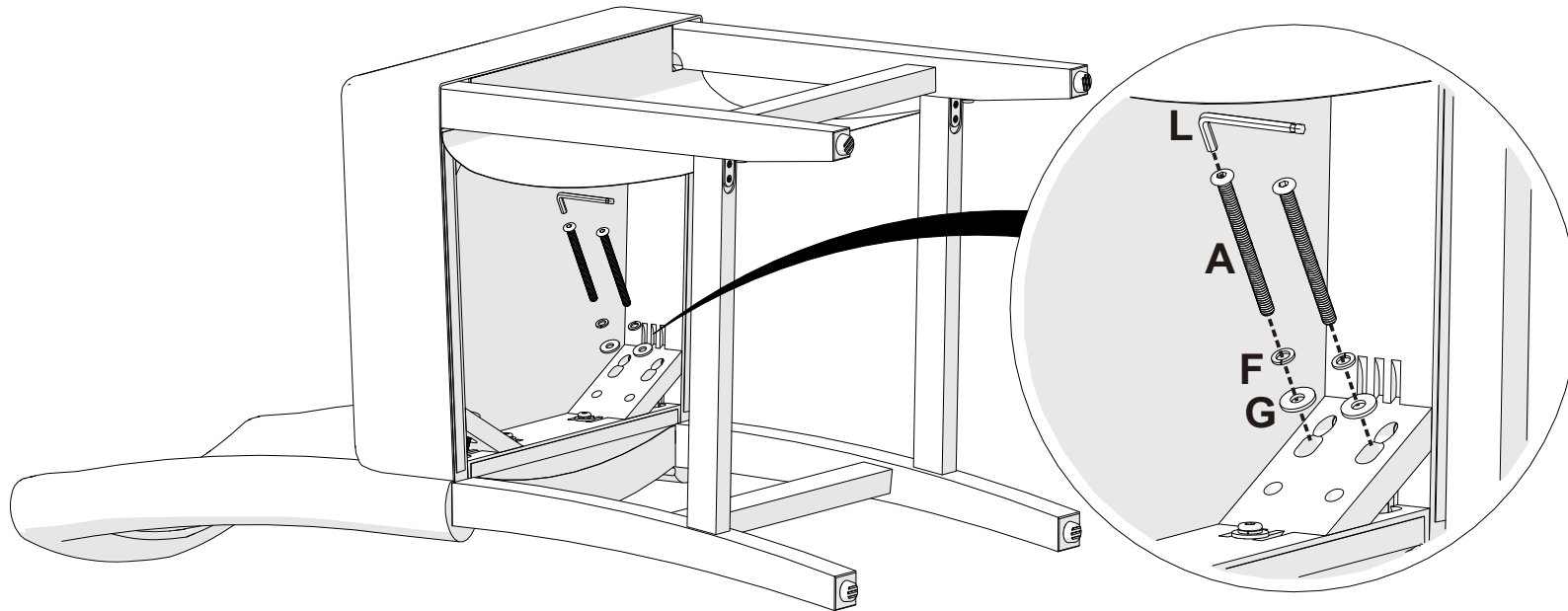


Please do not assemble with power tools.

step 4.

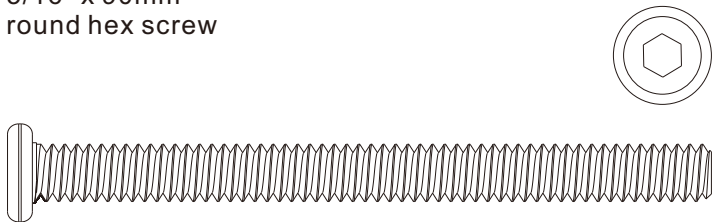
1

Now you may tighten all 6 bolts.



(A) x 4

5/16" x 90mm
round hex screw



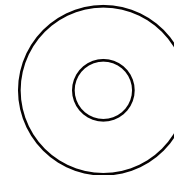
(F) x 4

Φ 8mm lock washer



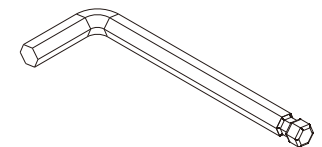
(G) x 4

Φ 22mm flat washer



(L) x 1

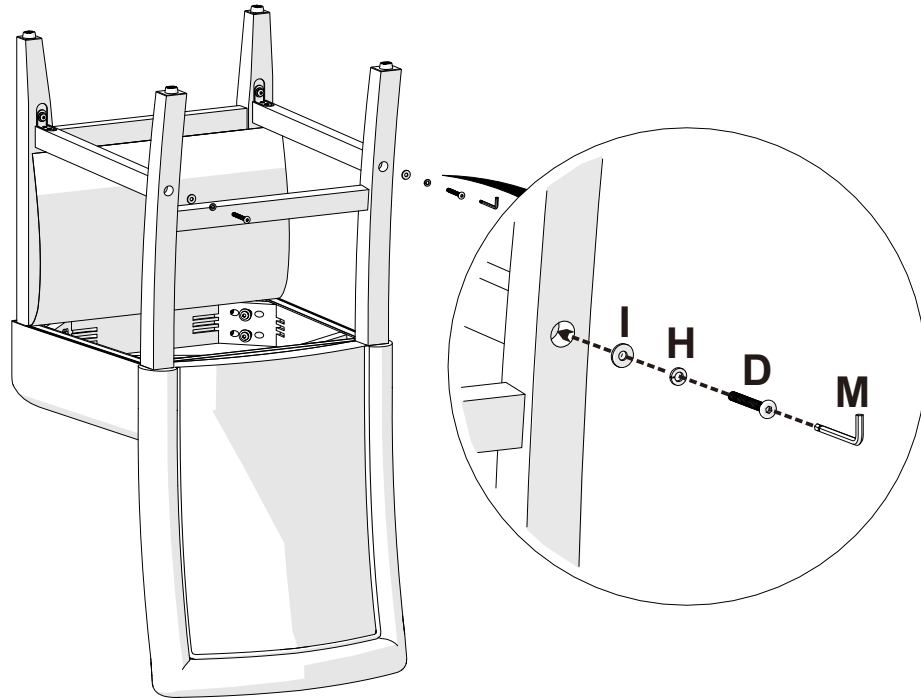
5mm Ball end
Hex wrench



Please do not assemble with power tools.

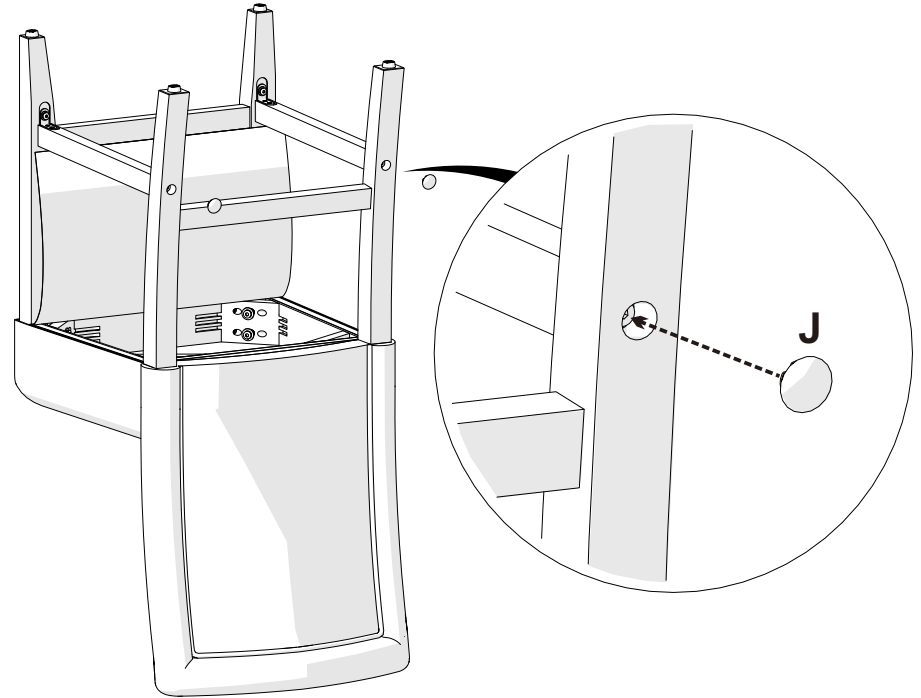
step 5.

1



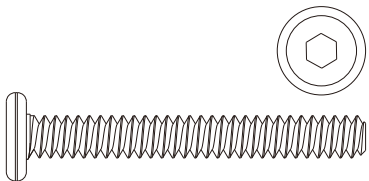
2

Use plugs to cover the holes.



(D) x 2

1/4" x 45mm
round hex screw



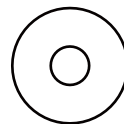
(H) x 2

Φ 6mm lock washer



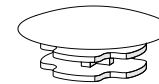
(I) x 2

Φ 15mm flat washer



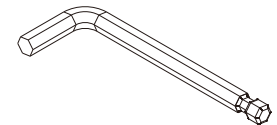
(J) x 2

plug



(M) x 1

4mm Ball end
Hex wrench

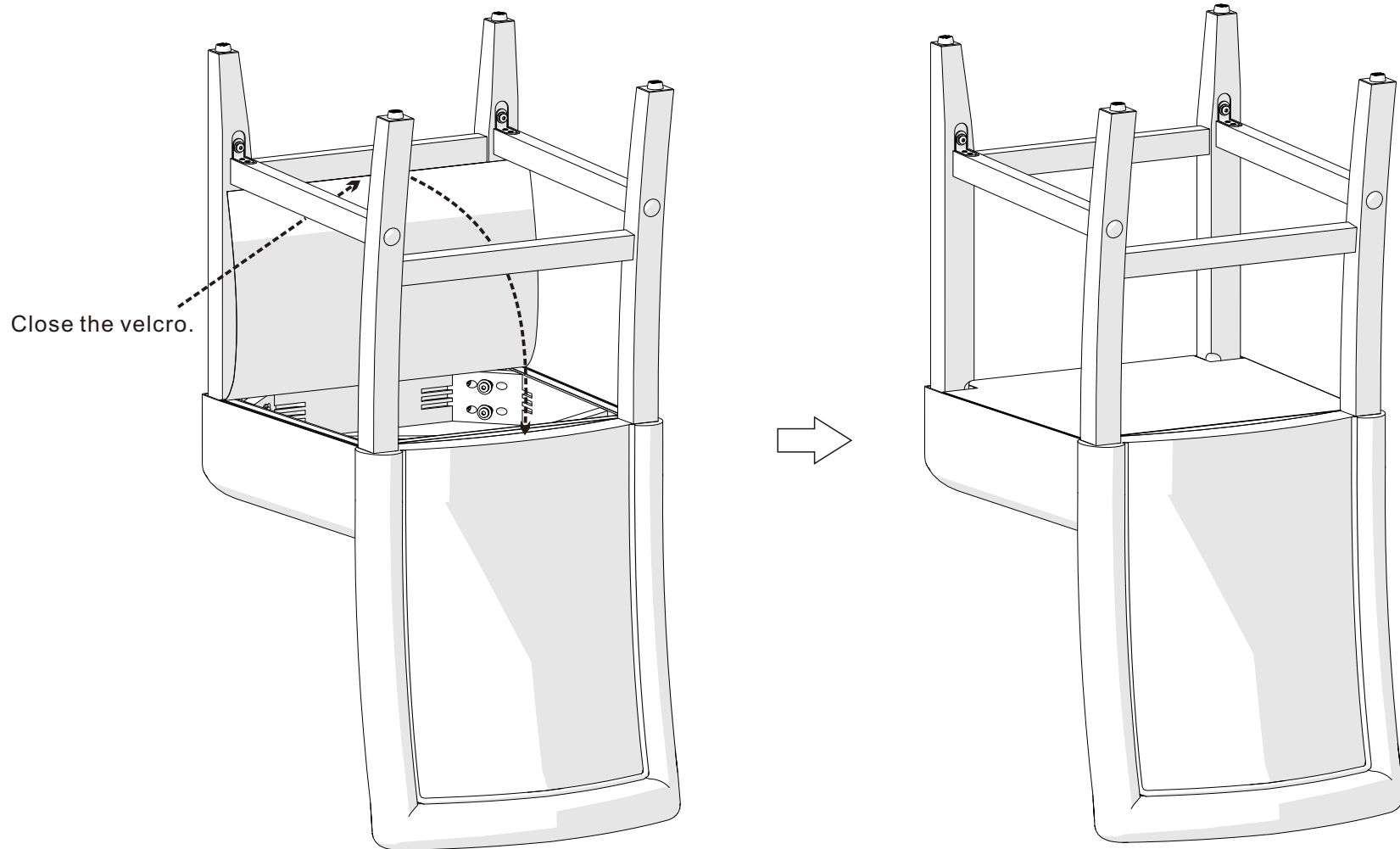


Please do not assemble with power tools.

step 6.

.....

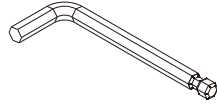
1



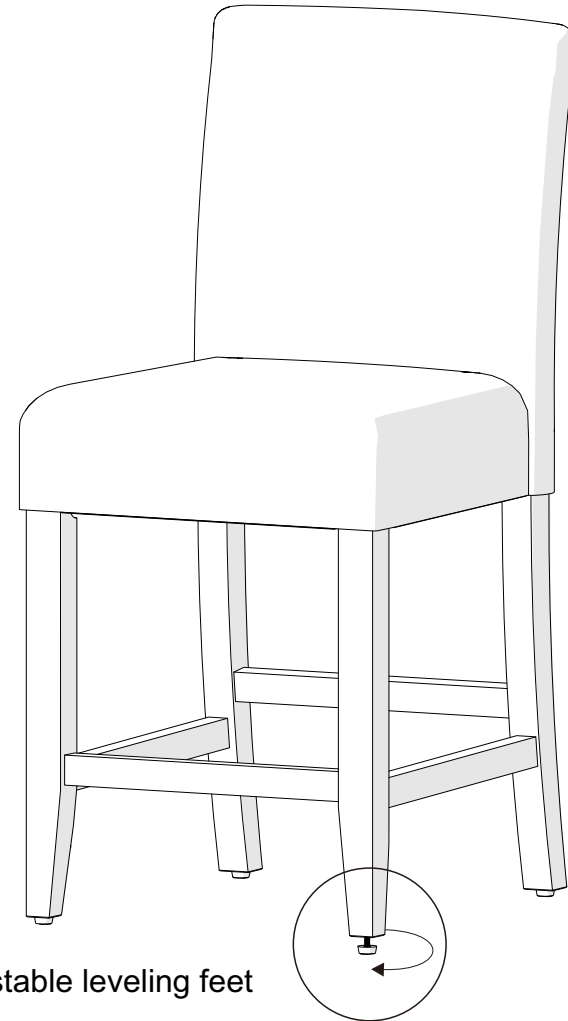
step 7.

A friendly reminder from us:

Please keep the Allen wrench.



After a period of time, there may be a chance the KD furniture may become loose, please use an Allen wrench to tighten the loose bolts.



Adjustable leveling feet

(This part is already attached on the end cap of 4 legs.)

Level the furniture, use leveling feet if needed.